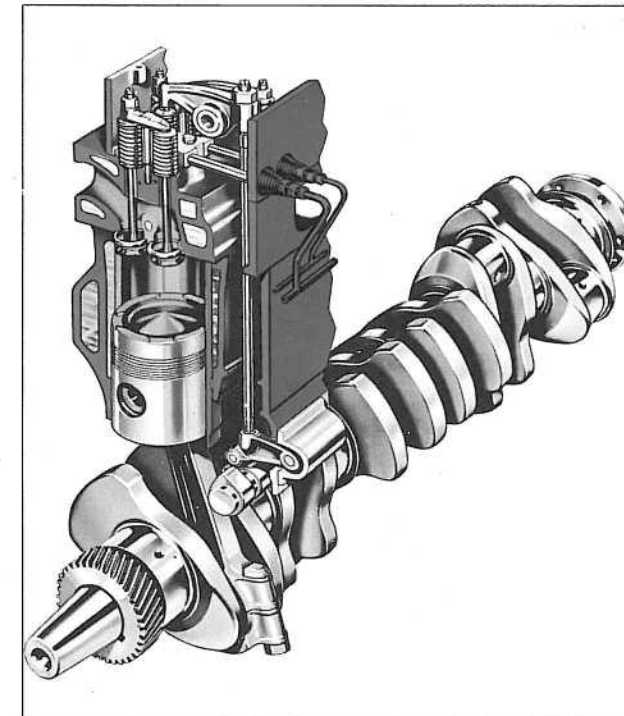
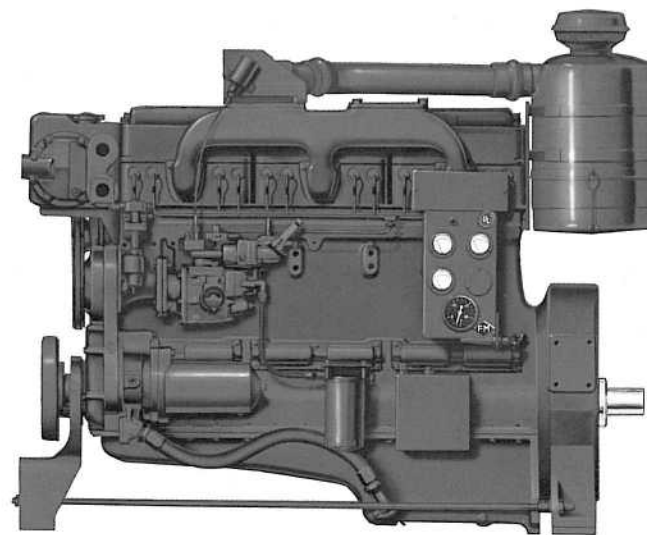


# Cummins Diesel

# NH-220-IF



## Specifications

Number of Cylinders .....	6
Bore and Stroke .....	5 1/8" x 6"
Piston Displacement—cu. in. ....	743
Operating Cycles .....	4
Crankcase Oil Capacity—gals. ....	5
Engine Coolant Capacity—gals. ....	5
Net Weight with Standard Accessories (lbs.) .	2800

Specific ratings are shown on rear page.

## Design Features

- Bearings:** Precision type, steel backed inserts. 7 main bearings, 4 1/2" diameter. Connecting Rod — 3 1/8" diameter.
- Camshaft:** Single camshaft controls all valve and injector movement. Induction hardened alloy steel with gear drive.
- Camshaft Followers:** Roller type for long cam and follower life.
- Connecting Rods:** Drop forged, 12" center to center length. Rifle drilled for pressure lubrication of piston pin.
- Crankshaft:** High tensile strength steel forging. Bearing journals are induction hardened. Fully counterweighted.
- Cylinder Block:** Alloy cast iron with removable, wet liners.
- Cylinder Heads:** Each head serves two cylinders. Inserts on exhaust valve seats are corrosion resistant.
- Fuel System:** Cummins PT wear-compensating system with integral, flyball type, mechanical variable speed governor. Camshaft actuated injectors.
- Gear Train:** Heavy duty, located at front of cylinder block.
- Lubrication:** Force feed to all bearings, gear type pump. All lubrication lines are drilled passages, except pan to pump suction line.
- Pistons:** Aluminum, cam ground, with three compression and one oil ring.
- Piston Pins:** 2" diameter, full floating.
- Thermostat:** Single unit, modulating by-pass type.
- Valves:** Dual intake and exhaust each cylinder. Each valve 1 3/4" diameter. Heat and corrosion resistant face on exhaust valves.

## Big Displacement Design Features

- 1 **Large Intake and Exhaust Passages:** Minimize restriction of air and exhaust flow. Allows maximum air charge for clean burning, top economy.
- 2 **Overhead Valves:** Precision machined from high strength alloy steel. Intake valves are of silichrome steel. Exhaust valves of big displacement models are nitrogen steel for high temperature strength and faced with corrosion resistant material.
- 3 **Open Type Combustion Chamber:** Gives most efficient combustion . . . most power from each gallon of fuel.
- 4 **Replaceable Wet-type Cylinder Liners:** Dissipate heat faster. Liners are easily replaced without reboring block.
- 5 **Conventional Push Rod and Rocker Lever Arrangement:** Activates valves and injectors from a single camshaft. Roller type camshaft followers are used for long life.
- 6 **Cam-ground Pistons:** Assure perfect fit at operating temperatures.
- 7 **Alloy Cast Iron Cylinder Block:** Follows proven design and material specification to achieve maximum durability.
- 8 **Large Volume Water Passages:** Give even flow of coolant around cylinder liners, valves, and injectors to draw excess heat from combustion chamber. Centrifugal pump circulates large volumes of water.
- 9 **Connecting Rods:** Forged from high tensile strength alloy steel. I-beam section gives maximum strength. Large diameter piston pins are full-floating.
- 10 **Fully Counterweighted Crankshafts:** Precision machined from high tensile strength steel forgings. Bearing journals are induction hardened for long life.

Engines for fire pump service should only be applied at the listed ratings of any one of the following: Underwriters' Laboratories, Inc.; Factory Mutual Fire Insurance Companies; Underwriters' Laboratories of Canada. These ratings are as follows:

### Underwriters' Laboratories Rating:

175 HP @ 1750 RPM

### Factory Mutual Ratings:

172 HP @ 1750 RPM

182 HP @ 1900 RPM

191 HP @ 2100 RPM

### Underwriters' Laboratories of Canada Rating:

175 HP @ 1750 RPM

## Performance

The horsepower ratings listed above represent performance at sea level altitude (29.92 inches of mercury) and 60°F. intake air temperature. Ratings represent performance of the engine with all standardly fitted parasitic losses deducted, including fuel system, lubricating oil pump, water pump, air cleaner and battery charging generator.

Curves represent performance on No. 2 diesel or furnace oil. Equivalent results can be obtained with fuels ranging from heavy furnace oils to light jet and military type fuels without recalibration. The net horsepower ratings are to be derated 5% for each 1000 feet above sea level, in accordance with National Board of Fire Underwriters Standard No. 20.



Listed under Underwriters' Laboratories, Inc., reexamination service for fire protection applications.

Listed by Associated Factory Mutual Fire Insurance Companies for fire protection applications.

Listed under Underwriters' Laboratories of Canada reexamination service for fire protection applications.

Cummins Engine Company, Inc., Columbus, Indiana 47201  
 Cummins Americas, Inc., Columbus, Indiana, U.S.A.  
 Cummins Diesel Australia, Ringwood, Australia  
 Cummins Diesel International Ltd.  
 Cummins Engine Company Ltd., London, England

## Standard Equipment

**Breather, Crankcase:** Dry type element.

**Cleaner, Air:** 12" diameter, oil bath type, mounted.

**Cooler, Lubricating Oil:** Tubular type, jacket water cooled.

**Damper, Vibration:** Viscous type.

**Electrical Equipment:** 24 volt positive ground system. 24 volt starting motor; 24 volt, 20 ampere generator; voltage regulator; toggle switch and magnetic switch.

**Exchanger, Heat:** Tubular type, mounted.

**Filters:** Fleetguard. Lubricating oil, full flow replaceable paper element, mounted. Fuel, paper element replaceable type, mounted.

**Flywheel:** Machined to fit drive flange.

**Governor:** Mechanical flyball, mechanical variable speed type.

**Housing, Flywheel:** SAE No. 1 with industrial supports.

**Manifold, Air Intake:** With common inlet, connected to air cleaner.

**Manifold, Exhaust:** Water cooled with center outlet directed upwards.

**Pan, Oil:** Cast aluminum, rear sump type, 7 U.S. gallon capacity.

**Panel, Instrument:** Mounted. Includes ammeter, combination tachometer and hourmeter, water temperature gauge, lubricating oil pressure gauge, vernier type throttle control.

**Pump, Coolant:** Belt driven, centrifugal type.

**Stubshaft:** Mounted to drive flange on flywheel.

**Support, Engine:** Pedestal type, front and rear.

**Tank, Fuel Scavenge:** Mounted.

**Transfer Pump, Fuel:** Mounted.

